

# Oil-less vacuum diaphragm pumps



The diaphragm pumps manufactured by G & M Tech Korea, have been designed and made to offer an high reliability product at a very competitive price level. These pumps are highly recommended where the compact dimensions as well as the very low noise level is a premium.

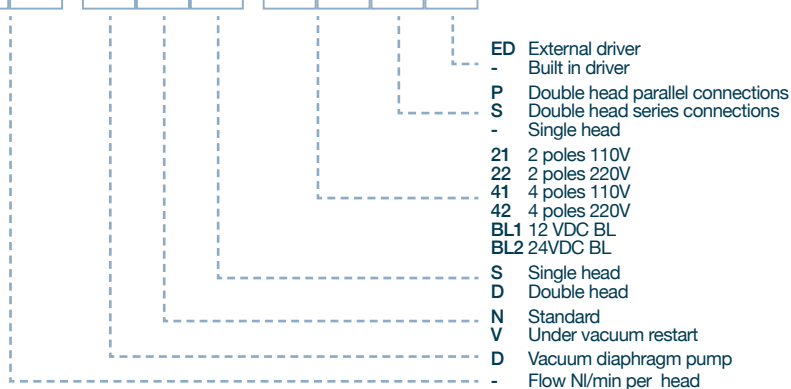
## Technical and manufacturing features

- Maximum flow: 70 NI / min
- Maximum vacuum: 750 mm Hg
- Pumping fluid temp range: 5 ÷ 60 °C
- Ambient temp range: 5 ÷ 40°C
- Single head
- Double head series and parallel connected
- Aluminum body, PTFE diaphragms
- 2-4 poles motors, starting capacitor, thermal protection
- Voltage: 115/230V- 50/60Hz 12-24VDC brushless with built in or external driver
- 100% oil free
- Ball bearings for a long life
- Low noise
- Compact dimensions

## Main applications

- Autoclaves ( class B )
- Medical suctions and aspirators
- Plasma and gas sterilizers
- Skin care machines
- Vacuum massagers
- Analyzing machines
- Packing machines
- Food processing machines
- Environmental machines

4	0	D	N	D	BL	1	P	ED
---	---	---	---	---	----	---	---	----



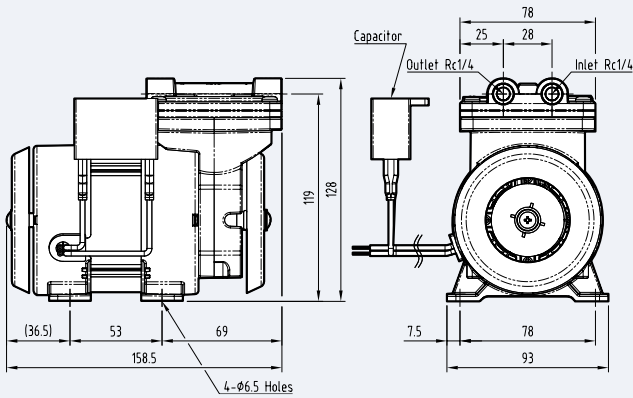
**Example: 40 DNS BL1 P ED**

Double head diaphragm pump - Flow 40 NI/min each head - BL 12 VDC motor - heads parallel connection - external driver

## DIAPHRAGM PUMPS SINGLE HEAD AC MOTORS

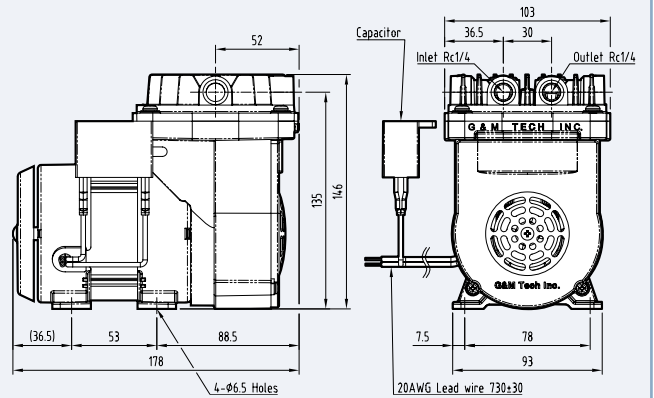
PUMP MODEL	FREE FLOW (l/min)	MAX VACCUM (mmHg)	POWER (W)	POLES	VOLTAGE (VAC)	TUBING CONNECTIONS	DIMENSIONS (mm)	WEIGHT (Kg)	NOTES
20-DNS-42	20	630	60	4	230V-50/60Hz	1/4" GAS	93X128X158	2,2	Single phase motors - starting capacitor - thermal protection - Fan cooled
30-DNS-42	28	560					103X146X178	2,6	
35-DNS-42	31	580	85	2			103X146X178	2,6	
40-DNS-42	38	570							

### 20DNS\_AC



Dimensions mm.

### 30,35,40DNS\_AC



Dimensions mm.

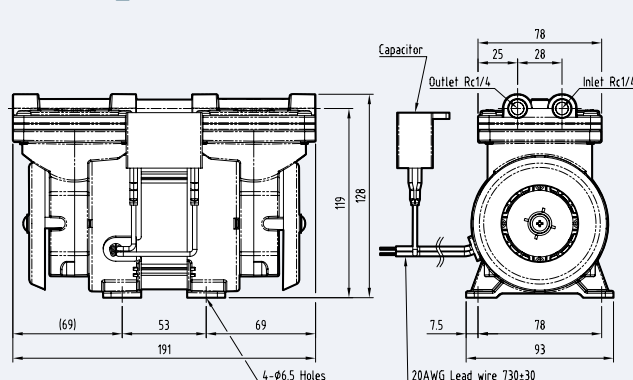
## DIAPHRAGM PUMPS DOUBLE HEAD AC MOTORS - PARALLEL CONNECTION

PUMP MODEL	FREE FLOW (l/min)	MAX VACCUM (mmHg)	POWER (W)	POLES	VOLTAGE (VAC)	TUBING CONNECTIONS	DIMENSIONS (mm)	WEIGHT (Kg)	NOTES
20-DND-42P	33	640	80	4	220V-50/60Hz	1/4" GAS	93X128X191	2,6	Single phase motors - starting capacitor - thermal protection - Fan cooled
35-DND-42P	50	580	90				103X146X230	3,7	
40-DND-22P	58	570	126	2			103X146X230	3,7	

## DIAPHRAGM PUMPS DOUBLE HEAD AC MOTORS - SERIES CONNECTION

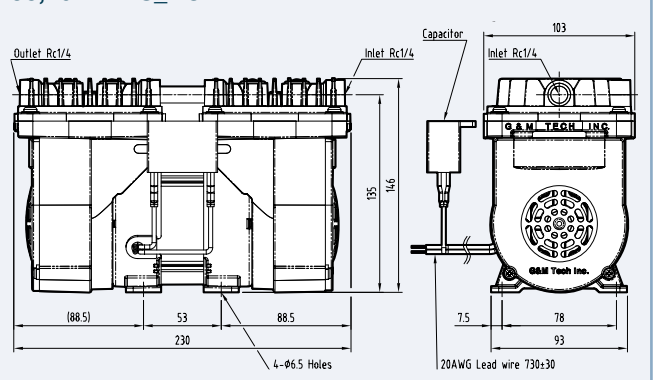
PUMP MODEL	FREE FLOW (l/min)	MAX VACCUM (mmHg)	POWER (W)	POLES	VOLTAGE (VAC)	TUBING CONNECTIONS	DIMENSIONS (mm)	WEIGHT (Kg)	NOTES
20-DND-42S	22	720	80	4	220V-50/60Hz	1/4" GAS	93X128X191	2,6	Single phase motors - starting capacitor - thermal protection - Fan cooled
35DND-42S	35	700	80				103X146X230	3,7	
40-DND-22S	38	690	115	2			103X146X230	3,7	

### 20DND-S\_AC



Dimensions mm.

### 35,40DND-S\_AC

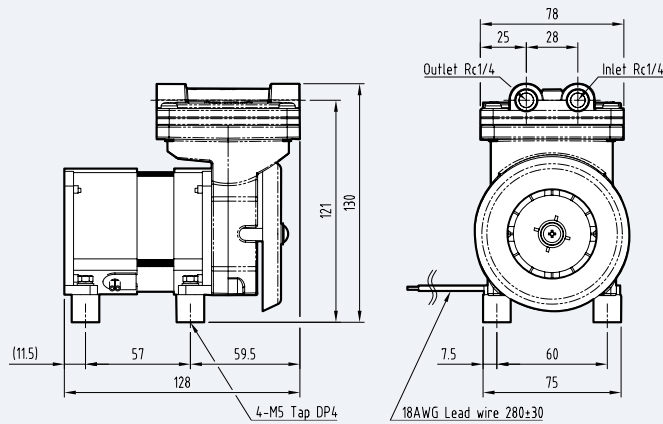


Dimensions mm.

## DIAPHRAGM PUMPS SINGLE HEAD DC BL MOTORS

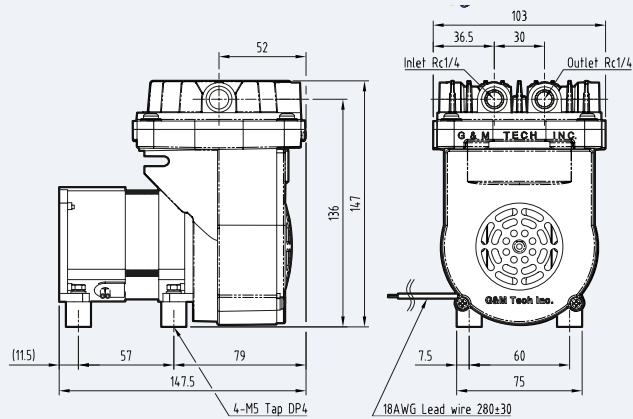
PUMP MODEL	FREE FLOW (l/min)	MAX VACCUUM (mmHg)	POWER (W)	BL MOTOR DRIVER	VOLTAGE (VAC)	TUBING CONNECTIONS	DIMENSIONS (mm)	WEIGHT (Kg)	NOTES
20-DNS-BL1	25	630	27	built in	12	1/4" GAS	84X130X128	1,2	BL motors
30-DNS-BL1	34	560	35				103X147X148	1,8	
35-DNS-BL1	41	580	40						
40-DNS-BL1-ED	47	570	52	external					
20-DNS-BL2	25	630	24	built in	24	1/4" GAS	84X130X128	1,2	
30-DNS-BL2	34	560	35				103X147X148	1,8	
35-DNS-BL2	41	580	40						
40-DNS-BL2-ED	47	570	52	external					

### 20DNS\_BLDG



Dimensions mm.

### 30,35,40DNS\_BLDG



Dimensions mm.

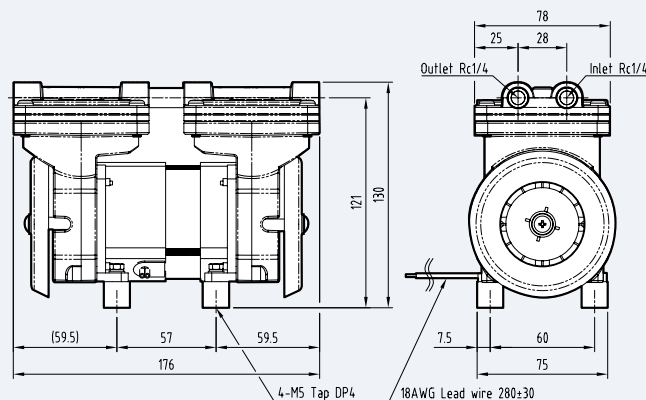
## DIAPHRAGM PUMPS DOUBLE HEAD DC MOTORS - PARALLEL CONNECTION

PUMP MODEL	FREE FLOW (l/min)	MAX VACCUM (mmHg)	POWER (W)	BL MOTOR DRIVER	VOLTAGE (VAC)	TUBING CONNECTIONS	DIMENSIONS (mm)	WEIGHT (Kg)	NOTES
20-DND-BL2P	38	640	39	built in	24	1/4" GAS	84X130X176	1,5	Motore BL
35-DND-BL2P	51	580	68				103X147X215	2,6	
40-DND-BL1P-ED	70		102	external	12				
40-DNS-BL2P-ED									

## DIAPHRAGM PUMPS DOUBLE HEAD DC MOTORS - SERIES CONNECTION

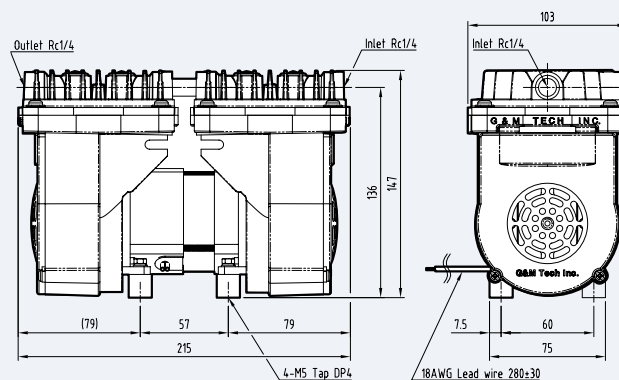
PUMP MODEL	FREE FLOW (l/min)	MAX VACCUM (mmHg)	POWER (W)	BL MOTOR DRIVER	VOLTAGE (VAC)	TUBING CONNECTIONS	DIMENSIONS (mm)	WEIGHT (Kg)	NOTES
20-DND-BL2PS	25	720	34	built in	24	1/4" GAS	84X130X176	1,5	Motore BL
35-DND-BL2S	42	690	63				103X147X215	2,6	
40-DND-BL1S-ED	52	700	81	external	12				
40-DNS-BL2S-ED	52		88						

### 20DND-S\_BLDC



Dimensions mm.

### 35,40DND-S\_BLDC



Dimensions mm.